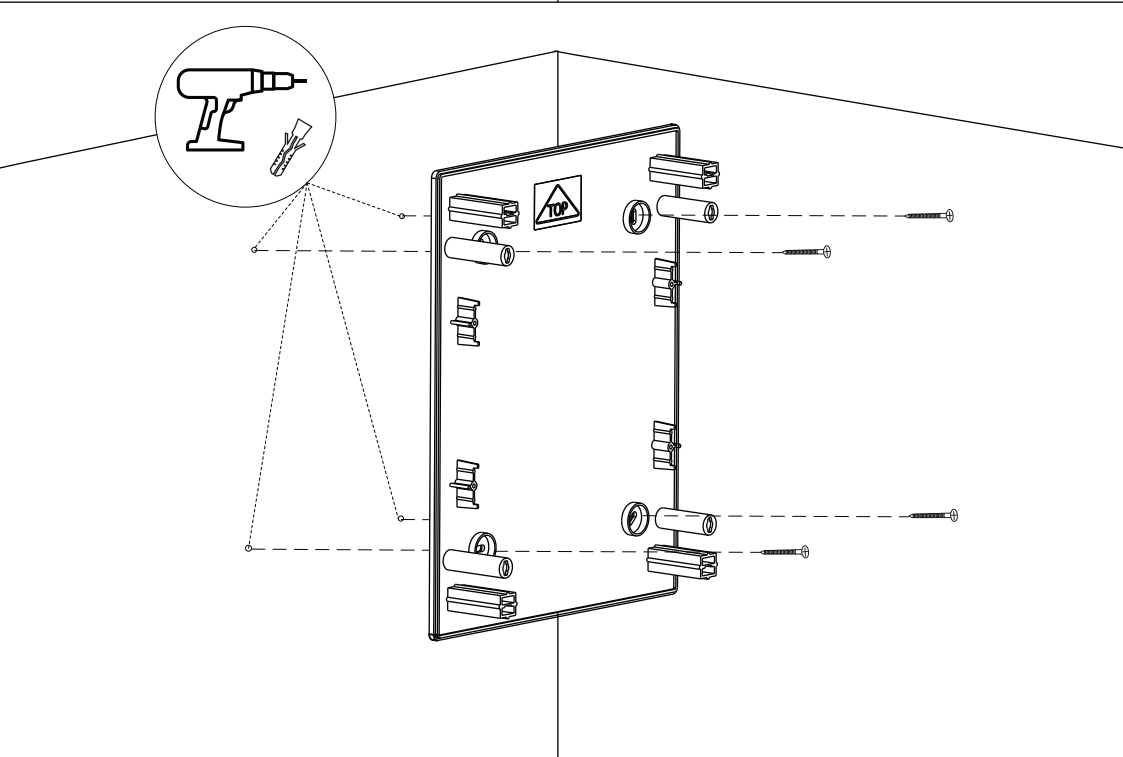
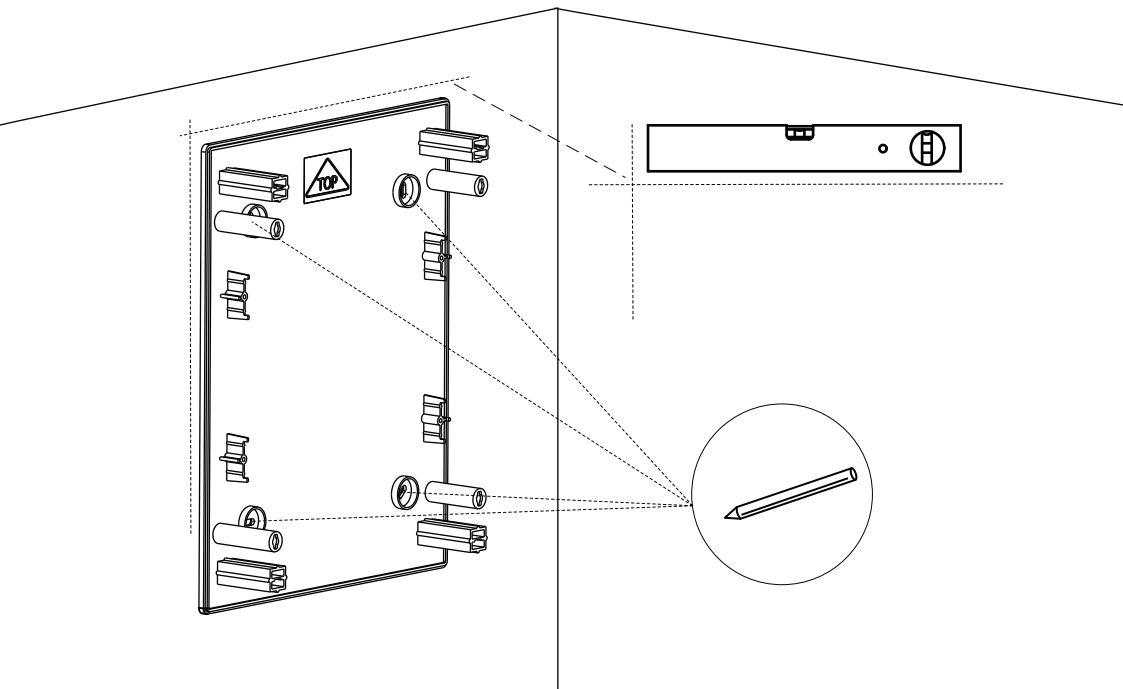


DIN RAIL MOUNTING	A	B	C	D	E	Pde	Static load
ECT4PT / ECT4PO	235 mm	143 mm	98 mm	127 mm	46 mm	10 W	520 g
ECT8PT / ECT8PO	236 mm	287 mm	102 mm	107 mm	180 mm	16 W	1040 g
ECT12PT / ECT12PO	236 mm	287 mm	112 mm	107 mm	180 mm	25 W	1560 g
ECT24PT / ECT24PO	361 mm	287 mm	112 mm	232 mm	180 mm	30 W	1560 g
ECT36PT / ECT36PO	485 mm	287 mm	112 mm	357 mm	180 mm	30 W	1560 g
ECT48PT / ECT48PO	652 mm	287 mm	112 mm	482 mm	180 mm	35 W	1560 g
ECT18PT / ECT18PO	236 mm	396 mm	112 mm	107 mm	289 mm	25 W	2340 g
ECT 2x18PT / ECT 2x18PO	361 mm	396 mm	112 mm	232 mm	289 mm	30 W	2340 g
ECT 3x18PT / ECT 3x18PO	526 mm	396 mm	112 mm	357 mm	289 mm	35 W	2340 g
ECT 4x18PT / ECT 4x18PO	651 mm	396 mm	112 mm	482 mm	289 mm	40 W	2340 g
ECT 1x24PT / ECT 1x24PO	236 mm	503 mm	112 mm	107 mm	396 mm	30 W	3120 g

For indoor locations ( $\leq 50\%$  RH at max.  $+40^{\circ}\text{C}$  or for example  $90\%$  RH at  $+20^{\circ}\text{C}$ )  
 Temperature range:  $-25^{\circ}\text{C}$  ...  $+60^{\circ}\text{C}$ , Rating Voltage AC 400 V; IP40; Class II; IK07  
 According to: IEC 60670; IEC 62208

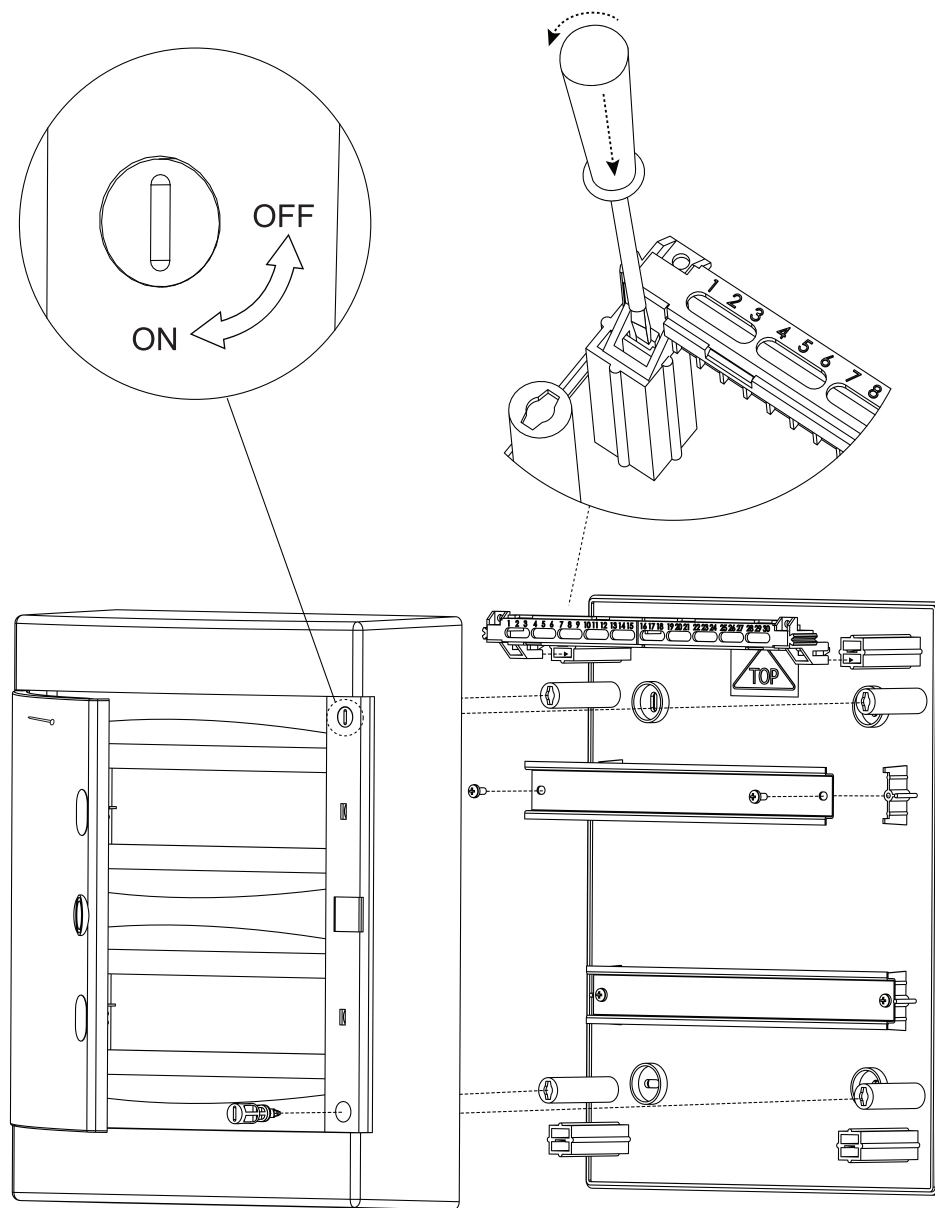
ETI Elektroelement d.o.o  
 Obrezija 5  
 1411 Izlake  
 Slovenia

ETI Polam Sp.z.o.o.  
 ul. Jana Pawła II 18  
 06-100 Pułtusk  
 Polska



DIN RAIL MOUNTING

Ed.4 - 01/2022



DIN RAIL MOUNTING