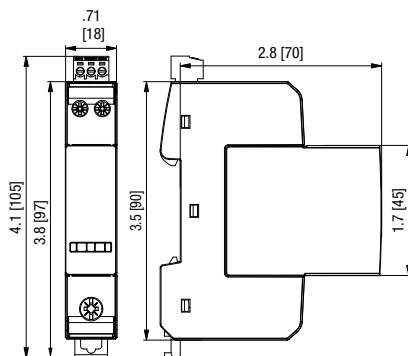


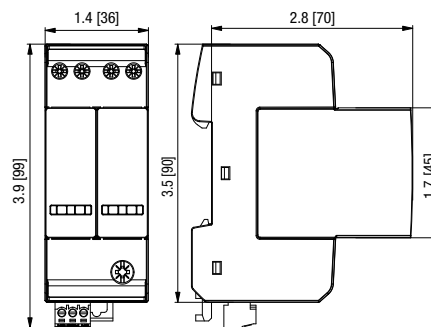
Surge arrester ETITEC group CM T2+T3

EN/IEC/VDE: T2,T3 /II,III/C,D

ETITEC CM T2+T3		
Type	ETITEC CM T23 275/20 2+0 (RC), 4+0 (RC)	ETITEC CM T23 275/20 1+1 (RC), 3+1 (RC)
In accordance with	IEC/EN 61643-11	
Category IEC/EN/VDE	II,III/T2,T3/C,D	
Max. continuous operating voltage (AC) U_c	275	L-N: 275; N-PE: 255V
Nominal AC voltage U_o	230 V 50-60 Hz	
TOV immunity U_t (AC)	335 V/5s withstand	
	440 V/120 min safe disconnection	440 V/120 min safe disconnection
Nominal discharge current (8/20) I_n	20 kA	
Max. discharge current (8/20) I_{max}	40 kA	
Charge		
Protection level U_p T2+T3	1,5 kV	1,5 kV
Protection level U_p T3 only	1,0 kV	L-N: 1,0 kV; N-PE: 0,3 kV
Open Circuit Voltage of Combination Wave Generator (1.2/50 μ s) U_{oc}	6 kV	
Short Circuit Current of Combination Wave Generator (8/20 μ s) I_{cw}	3 kA	
Response time tA	< 25 ns	L-N: < 25 ns; N-PE: < 100 ns
Number of ports	1	
Thermal decoupler	✓	
Torque	L, N: 1,2 Nm, PE: 2,0 Nm	
Back-up fuse	100 A gG	
Short-circuit current rating I_{SCCR}	25 kA	
Temperature range	- 40°C ... +85°C	
Cross-section of connection wire	L, N: 10 mm ² (Solid, Stranded) / 6 mm ² (Flexible); PE: 35 mm ² (Solid, Stranded) / 25 mm ² (Flexible)	
Mounting	indoors on top hat fixing rail 35 mm (EN 60715)	
Degree of protection	IP 20B (built-in)	
Dimensions	1 TE ... 2 TE	
Indication of disconnector operation	red flag	
Permissible humidity	5% - 95%	
Additional data for ETITEC CM-RC		
Remote signalisation (RC)	✓	
Switching capability (RC)	AC: 250V/0.5A; DC: 250V/0.5A, 125V/0.2A, 75V/0.5A	
Cross-section of connection wire (RC)	max. 1.5 mm ²	
Torque (RC)	0,4 Nm	

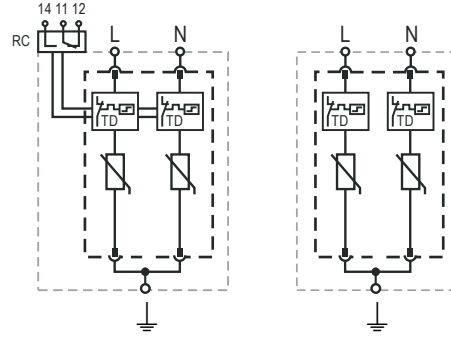


ETITEC CM T23 275/20 2+0 (RC), ETITEC CM T23 275/20 1+1 (RC)



ETITEC CM T23 275/20 4+0 (RC), ETITEC CM T23 275/20 3+1 (RC)

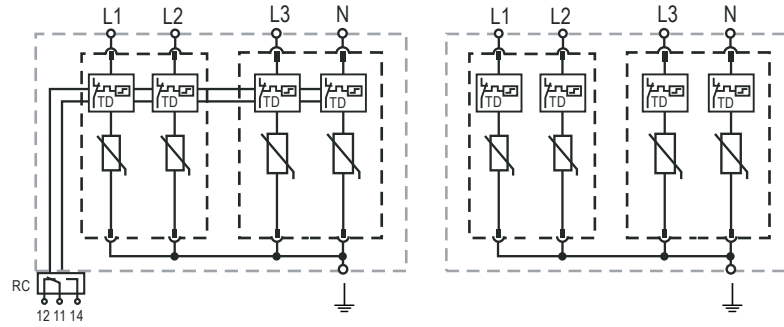
ETITEC CM T23 275/20 2+0 (RC)



Legend

- L Line Conductor Terminal
- N Neutral Conductor Terminal
- Z PE Conductor Terminal
- RC Remote Contacts Terminal
- TD Thermal Disconnecter

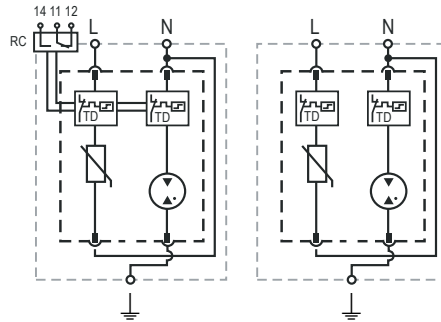
ETITEC CM T23 275/20 4+0 (RC)



Legend

- L Line Conductor Terminal
- N Neutral Conductor Terminal
- Z PE Conductor Terminal
- RC Remote Contacts Terminal
- TD Thermal Disconnecter

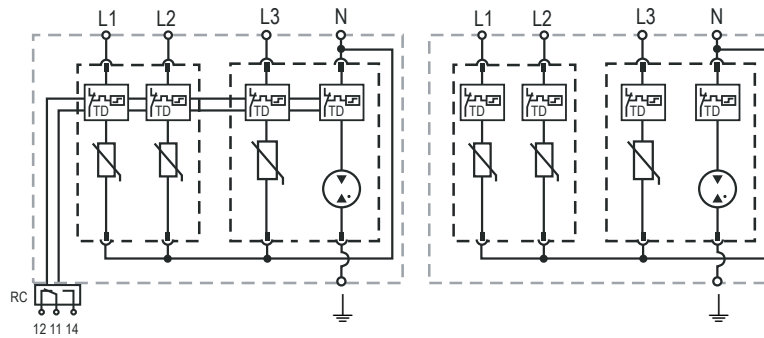
ETITEC CM T23 275/20 1+1 (RC)



Legend

- L Line Conductor Terminal
- N Neutral Conductor Terminal
- Z PE Conductor Terminal
- RC Remote Contacts Terminal
- TD Thermal Disconnecter

ETITEC CM T23 275/20 3+1 (RC)



Legend

- L Line Conductor Terminal
- N Neutral Conductor Terminal
- Z PE Conductor Terminal
- RC Remote Contacts Terminal
- TD Thermal Disconnecter